



## Wise Coffee Products

Innovation Coffee Brewer  
Model: Wise Brewer TG

**Please read this manual before use the device.**



Info Mob.  
0030 6977170176

Ag. Paraskevis 47 Street  
Agioi Anargiroi 13562,  
Athens

[www.wisecoffeeproducts.com](http://www.wisecoffeeproducts.com)  
[info@wisecoffeeproducts.com](mailto:info@wisecoffeeproducts.com)



## Welcome to a World of Perfect Brews!

Dear Costumer,

Congratulations on your smart choice in bringing home our Intelligent Coffee Filter Machine! Unboxing this device is just the beginning of an exceptional journey into the world of aromatic and flavorful coffee.

### Unveiling Your Coffee Companion

As you open the box, you'll discover the carefully crafted design and advanced technology that make this machine truly extraordinary. Each component is a testament to our commitment to providing you with a seamless and enjoyable coffee experience.

### What's Inside?

The sleek and stylish Intelligent Coffee Filter Machine.

2 Unique Ceramic cups.

A user-friendly manual for quick and easy setup.

[Any additional items or accessories]

### Setting Up for Perfection

Follow the simple steps outlined in the manual to set up your coffee machine effortlessly. In just a few moments, you'll be ready to enjoy barista-quality coffee from the comfort of your own home.

### Brewing Brilliance at Your Fingertips

Explore the intuitive features that make this coffee machine stand out. From customizable brewing settings to a user-friendly interface, every detail is designed with your convenience in mind.

### Join the Coffee Revolution

Get ready to savor each sip as you embark on a journey of coffee perfection. Our Intelligent Coffee Filter Machine is not just a device; it's a companion that elevates your coffee rituals to new heights.

### Need Assistance? We're Here for You!

Should you have any questions or need assistance along the way, our dedicated support team is just an email or a phone call away. We're here to ensure your coffee experience is nothing short of exceptional. Thank you for choosing the 'Wise' Brewer. May every cup brewed with our coffee maker be filled with joy, flavor, and the perfect blend!  
Happy Brewing!

Wise Coffee Product Team

Info Mob.  
0030 6977170176

Ag. Paraskevis 47 Street  
Agioi Anargiroi 13562,  
Athens

[www.wisecoffeeproducts.com](http://www.wisecoffeeproducts.com)  
[info@wisecoffeeproducts.com](mailto:info@wisecoffeeproducts.com)

**WHEN USING ELECTRICAL APPLIANCES, THE SAFETY INSTRUCTIONS SHOULD BE FOLLOWED AT ALL TIMES. READ ALL THE INSTRUCTIONS BEFORE USE!  
READ ALL INSTRUCTIONS.**



## **IMPORTANT PRECAUTIONS**

1. Before use, make sure that the voltage of your electrical installation corresponds to that indicated on the device's technical characteristics label.
2. The device is equipped with a grounded plug. The device must be adequately grounded.
3. Close supervision is necessary when the device is operated near children.
4. Do not place the device on a hot surface or near a fire to avoid damage.
5. Improper electrical installation will damage electronic components, such damage is not covered by warranty.
6. Do not use the device with a damaged cable or plug, after a drop or when you find any malfunction or damage. In the event of damage, immediately contact an authorized service store of the company for inspection and repair. For any repairs, always consult the Technical Service Centres authorised by the manufacturing company. Repairs performed by incompetent individuals can be hazardous.
7. The use of accessories not recommended by the manufacturer may cause injury to the user or damage to the product.
8. Place the device on a flat surface and do not let the cord hang over the edge of a table or counter.
9. Make sure that the cable does not touch the hot surfaces of the device. Avoid using extension cords. Before any cleaning or maintenance operation, always unplug from the mains. Do not pull on the electrical cord to move the appliance.
10. Some parts of the device are hot during operation, so do not touch directly with your hands.
11. Do not immerse the device or cable in water or any other liquid.
12. Do not use the device outdoors.
13. Keep these instructions for future reference.
14. Do not leave the coffee maker running without water.
15. Do not clean the water tank with detergents or other abrasive materials.
16. The use of the device is specific, for what it is designed only.
17. The operating environment of the machine should be between 10 – 30 degrees Celsius.
18. The machine is not connected to a water supply, it contains a water container where we fill it to the top.
19. In the water container we only put drinking water suitable for extracting coffee drinks, between 15 and 50 degrees Celsius.
20. Any other liquid will cause damage to the parts of the machine and especially to the boilers.
21. In case the machine does not work properly, turn it off at the main switch, remove the power cord and call the company's qualified technician.
22. Maintenance and repair of any damage to the machine should only be done by an authorized technician of the company.
23. Before any transport of the machine we should close the two switches and remove the power cable.
24. The second smaller switch only shuts off power to the boilers. It is a safety switch for our boilers. When we see some water leaking from the bottom of the machine, we immediately close both switches, pull the cable out of the socket and call the company's technical department.



Info Mob.  
0030 6977170176

Ag. Paraskevis 47 Street  
Agioi Anargiroi 13562,  
Athens

[www.wisecoffeeproducts.com](http://www.wisecoffeeproducts.com)  
[info@wisecoffeeproducts.com](mailto:info@wisecoffeeproducts.com)

# WHEN USING ELECTRICAL APPLIANCES, THE SAFETY INSTRUCTIONS SHOULD BE FOLLOWED AT ALL TIMES. READ ALL THE INSTRUCTIONS BEFORE USE!



## IMPORTANT PRECAUTIONS

- The appliance is intended for use in households and similar applications such as:
  - staff kitchen areas in shops, offices and other working environments.
  - farmhouses.
  - by clients in hotels, motels and other residential-type environments.
  - bed & breakfast-type environments.
- The appliance should be used indoors only and exclusively for preparing coffee or tea.
- This appliance is suitable for use by persons (including children) with physical, mental or sensory impairments, provided those persons are supervised or instructed in the safe use of the appliance and the possible risks.
- Keep the packaging (plastic bags and cardboard) out of the reach of children.
- The appliance can be used by children who are supervised or have been instructed in the safe use of the appliance and the possible risks. Make sure children do not play with the appliance. Keep the appliance and the power cord out of the reach of children
- Cleaning and user maintenance should not be carried out by children, unless they are over 8 years old and are supervised.
- Check that the voltage of the appliance corresponds with the mains voltage. The appliance should be plugged into a socket with safety ground.
- In case of problems during use and before cleaning, remove the power plug from the socket. Always unplug the power cord by pulling the plug from the socket; do not pull the cord itself.
- Never submerge the appliance, the power cord or the plug in water or other liquids, either completely or partially. Do not kink or crush the power cord. Never touch the power cord or plug with wet hands. Do not place the power cord on hot surfaces and do not let it hang over the edge of a table or bar where the cord could be pulled by a child.
- Do not use the appliance if the cord or plug are damaged or the appliance is not working correctly.
- Important: If the power cord is damaged, it must be replaced with a special power cord. Repairs must be carried out by skilled service technicians. Please contact [info@wisecoffeeproducts.com](mailto:info@wisecoffeeproducts.com) or your supplier.
- The appliance is fitted with a short power cord because a long cord would involve a risk that a person might get caught up in it or trip over it.
  - If an extension cord is used, marked technical rating must at least be suitable for the nominal current and voltage values of the coffee machine. The extension cord must be a 3-wire cable with a ground wire. The extension cord should be positioned in such a way that it does not hang over a table edge or worktop, so that a child cannot pull the cord and there is no risk of tripping over it.
- Place the appliance on a flat, horizontal surface in a frost-proof room, not on a hot surface or near gas or electric cookers or in an oven.
- Do not touch the hot components, such as the outlet pipe, filter holder or hot plate, during or shortly after use.
- Do not pour liquids other than water, a recommended descaling agent or cleaning product into the water reservoir.

Info Mob.  
0030 6977170176

Ag. Paraskevis 47 Street  
Agioi Anargiroi 13562,  
Athens

[www.wisecoffeeproducts.com](http://www.wisecoffeeproducts.com)  
[info@wisecoffeeproducts.com](mailto:info@wisecoffeeproducts.com)



## Cleaning - Descaling

Descaling Your coffee machine needs to be descaled regularly in order to continue to ensure optimum performance. If minerals are deposited on the heating element of your Wise Brewer, this can inhibit the water flow and negatively impact on the brewing temperature and the taste of the coffee. Without regular descaling with the right agent, it is possible that at some point the appliance will no longer function. Using a good descaler (with additives that make sure the agent does not damage the components of the appliance) will extend the lifespan of your coffee maker.

Cleaning Outside: Remove the power plug from the socket and allow the appliance to cool before cleaning. Regularly clean the outside of the appliance with a damp cloth and dry it afterwards.

To order parts, contact your supplier or order from [wisecoffeeproducts@gmail.com](mailto:wisecoffeeproducts@gmail.com) Service and repairs Contact your local dealer or [info@wisecoffeeproducts.com](mailto:info@wisecoffeeproducts.com) for service and repairs.

### **The following are not covered by the warranty**

- 1) Normal wear and tear and damage through use; scratches, dents and damage caused by falls, collisions, etc.
- 2) The use of the product for purposes other than brewing coffee.
- 3) Loose parts.
- 4) Damage caused by not using suitable cleaning and/or descaling agents.
- 5) Modifications carried out by or on behalf of the customer.
- 6) Blockages caused by e.g. coffee beans or limescale on the tank.
- 7) Damage caused by incorrect positioning, use other than for brewing coffee, connecting the appliance to the wrong mains voltage, damage caused by chemical agents, corrosion, damage caused by frost or abnormal environmental influences.
- 8) If an official service technician is not able to identify faults in the product, the cost of repair will not be reimbursed. If repairs or modifications are carried out by a non-official service workshop or if non-original parts are used, the warranty is automatically void.

# First start of WISE BREWER coffee maker



## Important Steps

Please observe them in their correct order.

- Place the machine in its intended location.
- Make sure both switches are in the **OFF** position, then plug the power cord into a grounded outlet.
- Fill the machine's tank with water until it is full.
- Then we only open the main Power switch. (under the power cable)
- Our machine starts up, as soon as the system loads on our screen we will see the PREPARING SYSTEM page.

**-The machine will read for any errors in all its sensors, we press RUN WATER and our machine immediately starts filling its boilers with water.**

**Until the boilers fill up, on screen you will see the message "SYSTEM NOT OK, BOILERES NOT FILLED" , then push again RUN WATER**

**Will need at least 3-4 times to repeat that step. (Any step needs 40sec.)**

-Then it shows on our screen that everything is **OK**, only then our machine is transferred to main menu.

**-Only then we open the second bigger switch on the back of the machine.**

After that the boilers start heating their water. The Machine is now ready to use and produce hot beverages.

**\*Recommended: fill up the tank with water and push FLUSH (100ML)**

After the correct first start, the machine works with its automations, and warns of anything needed. Enjoy!!

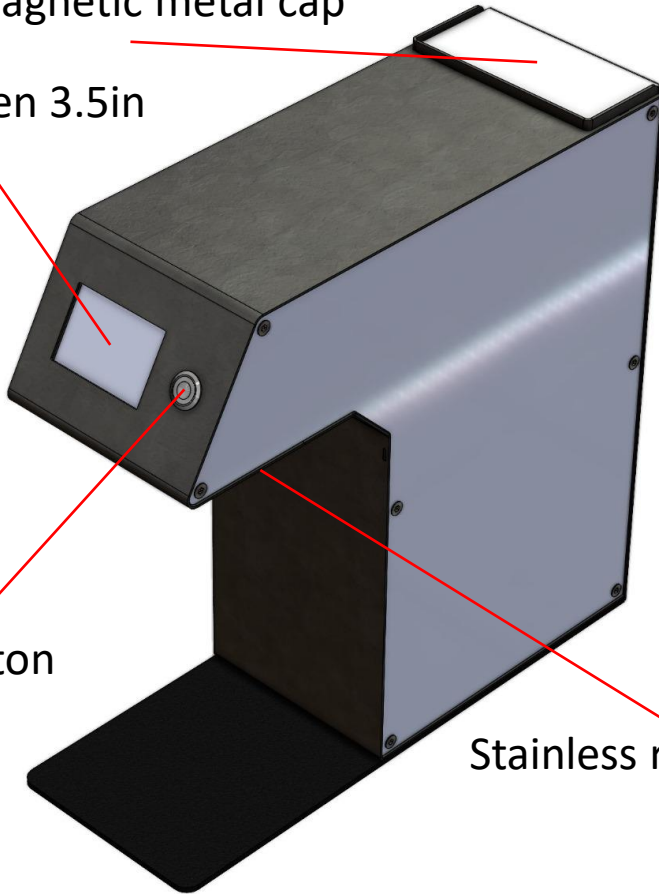
## External machine Points

Stainless magnetic metal cap

Touch screen 3.5in

Switch Button

Stainless rainy head



## Specifications

**Weight:** 15k

**Dimensions:**

**Height:** 39cm

**Length:** 41cm

**Width:** 15cm

**Watts:** 2450max

**StandBy:** 2.0Watt

**Voltage Input:** 230V AC 50-60Hz

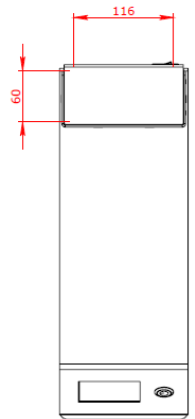
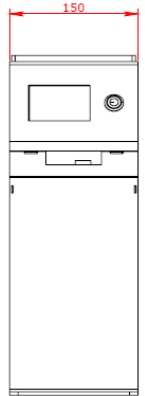
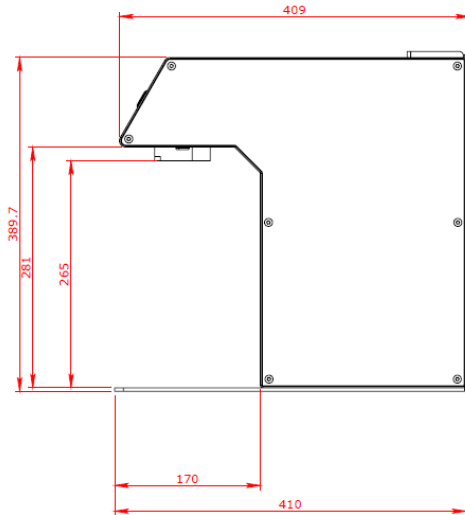
**Colours:** Black, White or Customize

**Touchscreen** 3.5inch

**2 x Boilers** Stainless Steel 600mls / 1200W

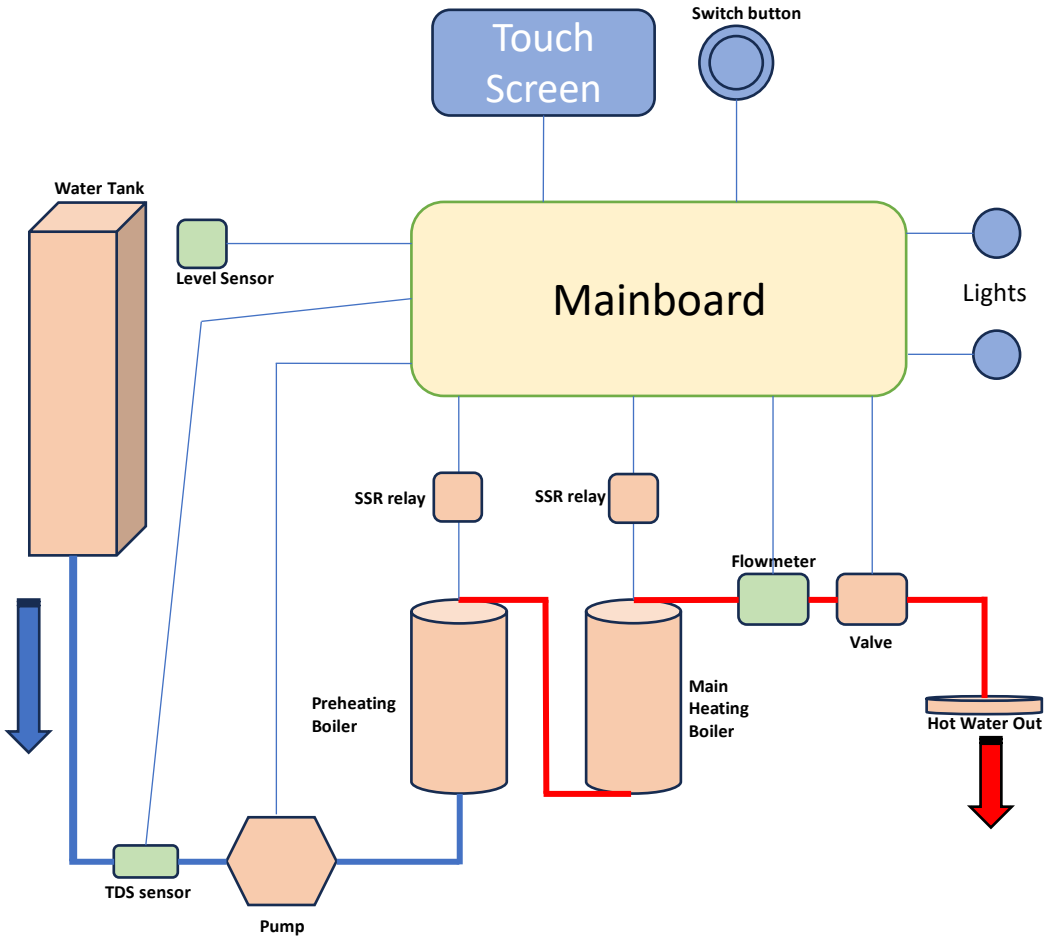
**Water Tank:** 1.7 Liters

**Pump:** rotary noiseless

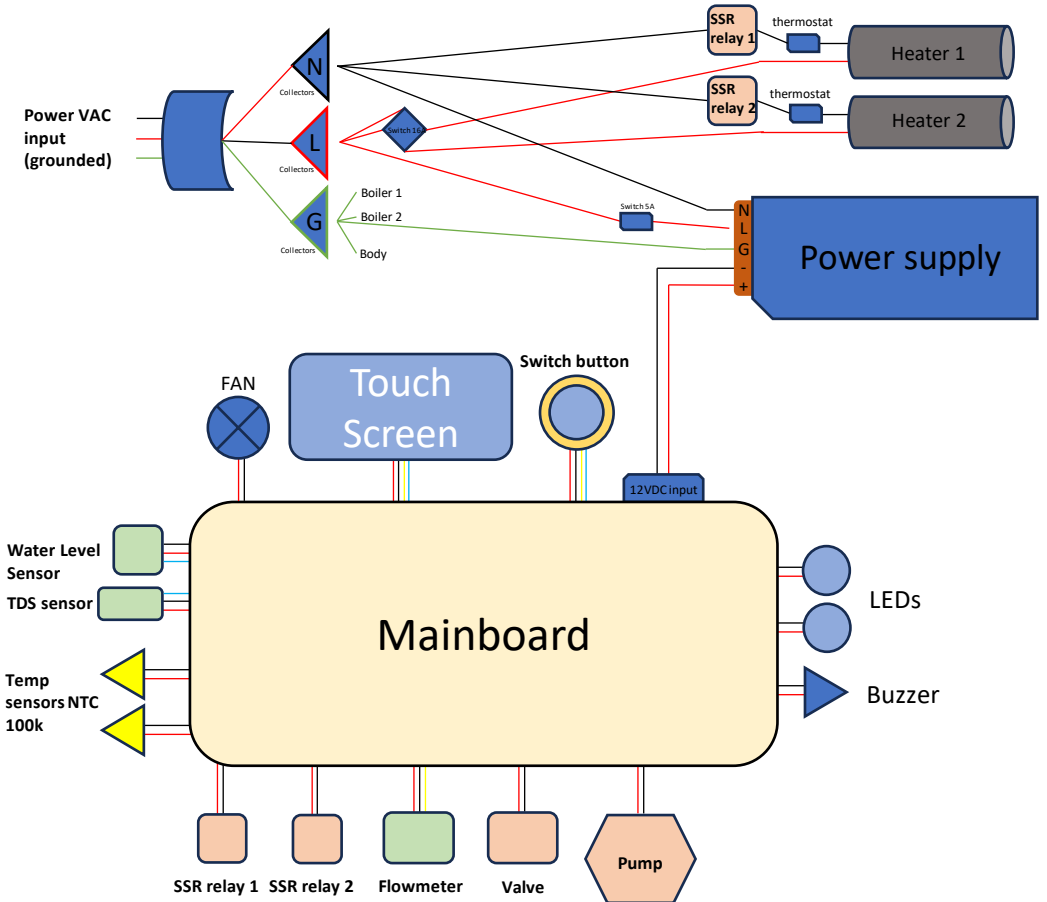




## General Machine Plan

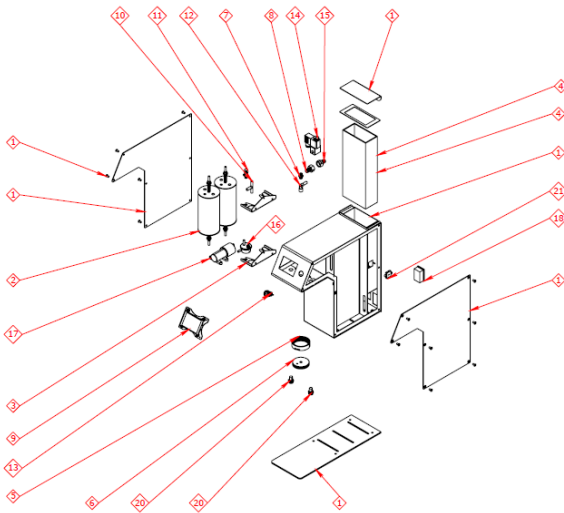


## Electronics General Plan



# WISE

*your Brewer*



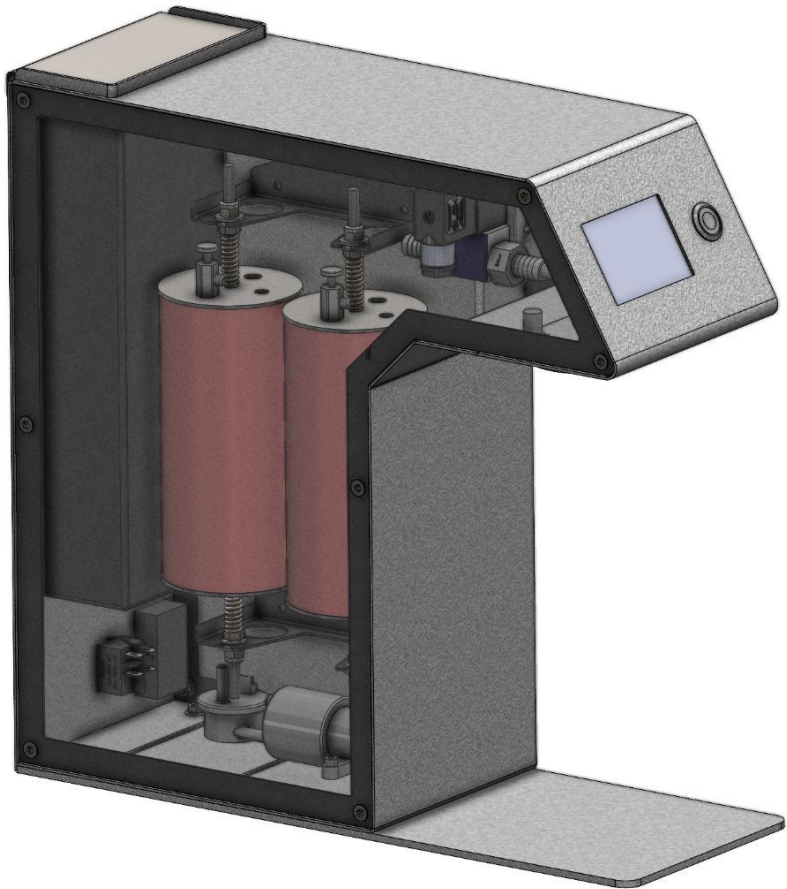
ITEM NO.	PART NUMBER	DESCRIPTION	MATERIAL	QTY.
1	0414-1.3-3100	MAIN BODY (WELDED & BOLTED)	See Bill of Materials	1
2	0414-1.3-3300	BOILER ASSEMBLY	See Bill of Materials	2
3	0414-1.3-013	BOILER BRACKET	GANVANITZE	2
4	0414-1.3-003	WATER TANK	PLEXI(PMMA)	1
5	RINSEUR HEAD -2	RINSEUR HEAD FEMALE		1
6	RINSEUR HEAD -1	RINSEUR HEAD MALE		1
7	322332		-	1
8	THREAD TO HOSE ADAPTOR 1.8		-	1
9	0414-1.3-3600		See Bill of Materials	1
10	tee-1.8"	TEE	Brass	1
11	air pressure release v0		-	1
12	0030216 NPFC-L-R10-G18-MF-34534534			1
13	push button		-	1
14	SELENOID VALVE 12V-2V025-06			1
15	B_v_E9 Inox 632664-10"0414-1.3-3000			1
16	flow meter 1.8 v1			1
17	water pump 12v			1
18	dialysis v1.step			1
19	SCREW CLIP M5			1
20	lamp v1			2
21	WATER LEVEL SENSOR	WATER LEVEL SENSOR	-	1
22	ISO 4762 M4 x 6 - 6N			2
23	0414-1.3-027	Description or Title? Same thing	Material <not specified>	1
24	0414-1.3-022 (TSR01043041_A0)	ΞΧΑΡΑ		1
25	0414-1.3-033			1
26	0414-1.3-034 (TSR01044327_A0)			1
27	0414-1.3-035 (TSR01044328)			1

Info Mob.  
0030 6977170176

Ag. Paraskevis 47 Street  
Agioi Anargiroi 13562,  
Athens

www.wisecoffeeproducts.com  
info@wisecoffeeproducts.com

# WISE



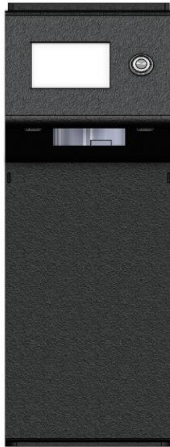
Info Mob.  
0030 6977170176

Ag. Paraskevis 47 Street  
Agioi Anargiroi 13562,  
Athens

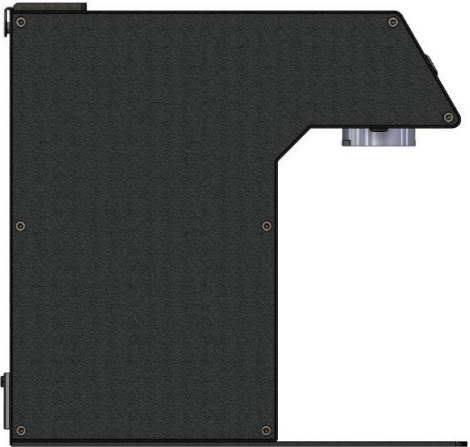
[www.wisecoffeeproducts.com](http://www.wisecoffeeproducts.com)  
[info@wisecoffeeproducts.com](mailto:info@wisecoffeeproducts.com)

# WiSE

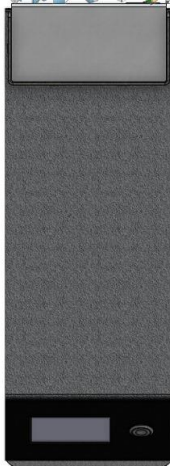
*your Brewer*



\*Front



\*Left



\*Top



Info Mob.  
0030 6977170176

Ag. Paraskevis 47 Street  
Agioi Anargiroi 13562,  
Athens

[www.wisecoffeeproducts.com](http://www.wisecoffeeproducts.com)  
[info@wisecoffeeproducts.com](mailto:info@wisecoffeeproducts.com)

**WiSE**  
*your Brewer*

**CE**

LVD L2014/35/EU

EMC L2014/35/EU

Info Mob.  
0030 6977170176

Ag. Paraskevis 47 Street  
Agioi Anargiroi 13562,  
Athens

[www.wisecoffeeproducts.com](http://www.wisecoffeeproducts.com)  
[info@wisecoffeeproducts.com](mailto:info@wisecoffeeproducts.com)